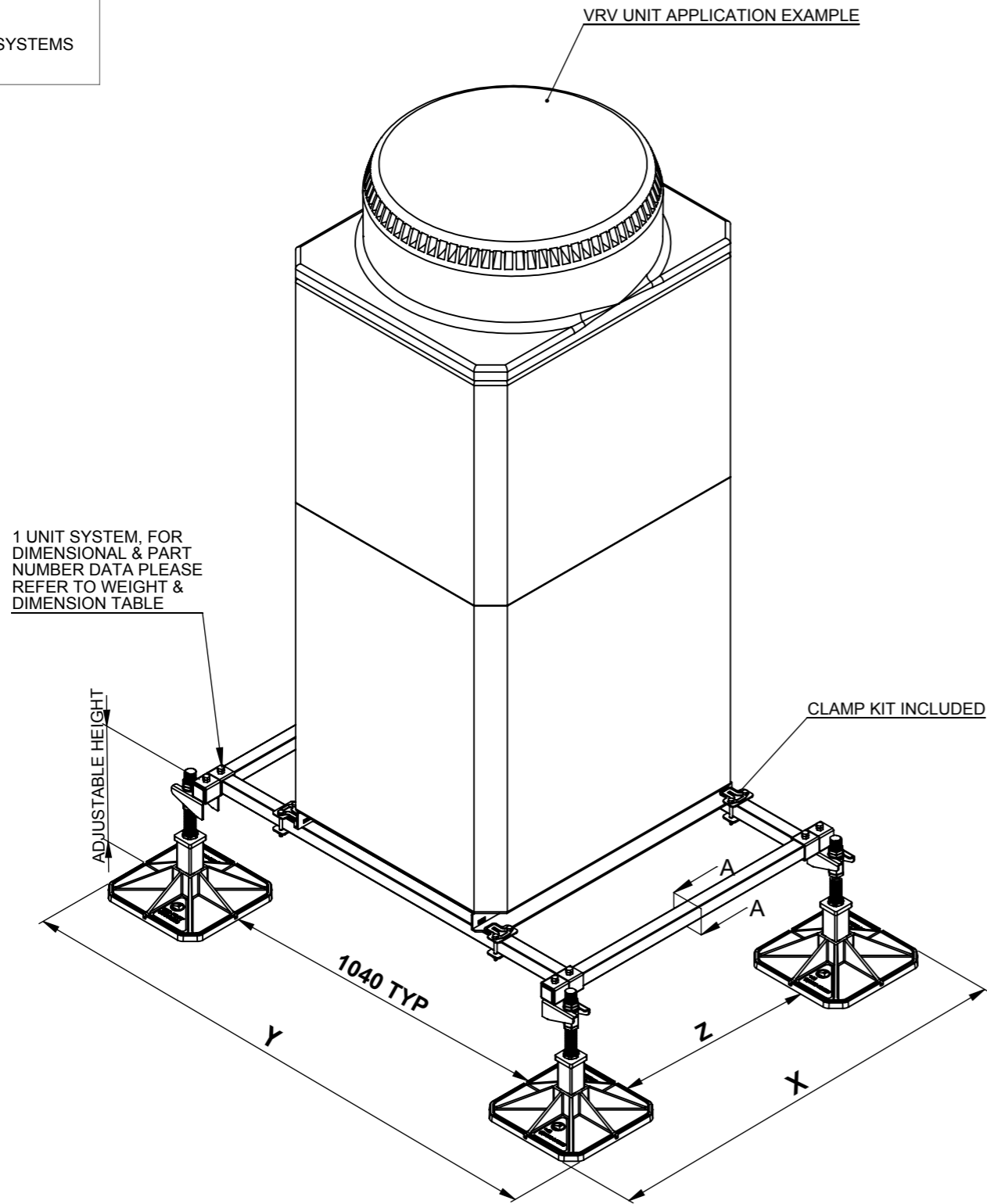


LD FRAME SPECIFICATION SHEET

TYPICAL APPLICATION

LIGHT DUTY EQUIPMENT
 VRV/ VRF
 AIR CONDITIONING SYSTEMS
 SMALL AHUS



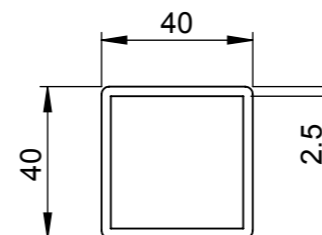
LD FRAME OVERALL SIZES

LD FRAME DETAILS				
PART NUMBER		B6075	B6077	B6078
FRAME SIZE		1.0m x 1.2m	2.0m x 1.2m	3.0m x 1.2m
NUMBER OF FEET		4	6	6
X	OVERALL LENGTH	mm	1277	2277
		inches	50 1/4	89 3/4
Y	OVERALL WIDTH	mm	1693	1693
		inches	66 3/4	66 3/4
Z	DISTANCE BETWEEN FEET	mm	620	645
		inches	24 3/8	25 3/8
ADJUSTABLE HEIGHT		mm	297-402	297-402
		inches	11 3/4-15 3/4	11 3/4-15 3/4
FRAME WEIGHT		kg	40.2	68.8
		lbs	88.6	151.7
DESIGN LOAD		kg	500	1000
		lbs	1102	2204

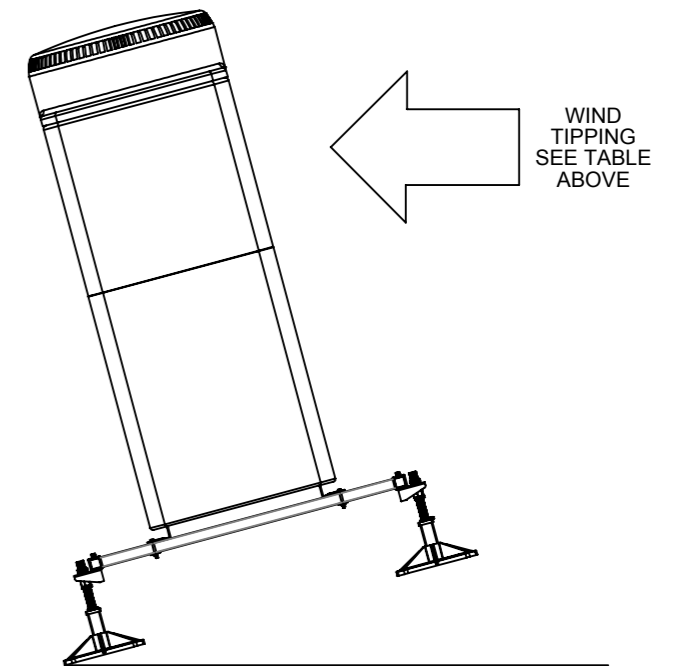
DESIGN LOAD BASED ON MAXIMUM ALLOWABLE DEFLECTION ON CROSS MEMBERS. ALLOWABLE FOOT PRESSURE WILL BE SUBJECT TO ROOF MAKE-UP, DETAILED BY STRUCTURAL ENGINEER.
 FEET CAN BE TURNED INBOUND TO REDUCE OVERALL FOOT PRINT IF REQUIRED. CROSS BAR SPACINGS ARE FULLY ADJUSTABLE TO ACCOMODATE UNIT SIZES

LD FRAME PERFORMANCE DETAILS & TECHNICAL CONSIDERATIONS				
PART NUMBER		B6075	B6077	B6078
FOOT PRESSURE	kN/m2	8.56	11.2	12.52
	psi	1.24	1.62	1.82
SYSTEM (UDL)	kN/m2	1.67	3.29	4.89
	psi	0.24	0.48	0.71
MAX CROSS BAR DEFLECTION	mm	2.87	2.87	2.87
	inches	1/8	1/8	1/8
WIND SPEED FOR TIPPING	kph	243	280	296
	mph	152	175	185
WIND SPEED FOR SLIDING	kph	302	301	299
	mph	189	188	187

PRODUCT PERFORMANCE BASED ON TYPICAL A/C UNIT
 920mm (L) x 760mm (W) x 1900mm (H)
 WEIGHING 330kg



FRAME SECTION



WIND LOADING PERFORMANCE ILLUSTRATION

BIG FOOT SYSTEMS NBS SPECIFICATION CLAUSE

BIG FOOT SPLITS MODULAR FRAME, B6075 - 1M
 BIG FOOT SPLITS MODULAR FRAME, B6077 - 2M
 BIG FOOT SPLITS MODULAR FRAME, B6078 - 3M
 BIG FOOT VRV/VRF MODULAR FRAME

FOR BESPOKE DESIGNS PLEASE CONTACT THE
 BIG FOOT TECHNICAL OFFICE

+44(0)1323 844 355
 TECHNICAL@BIGFOOTSUPPORT.COM
 WWW.BIGFOOTSUPPORT.COM

TITLE: LD FRAME SPECIFICATION SHEET

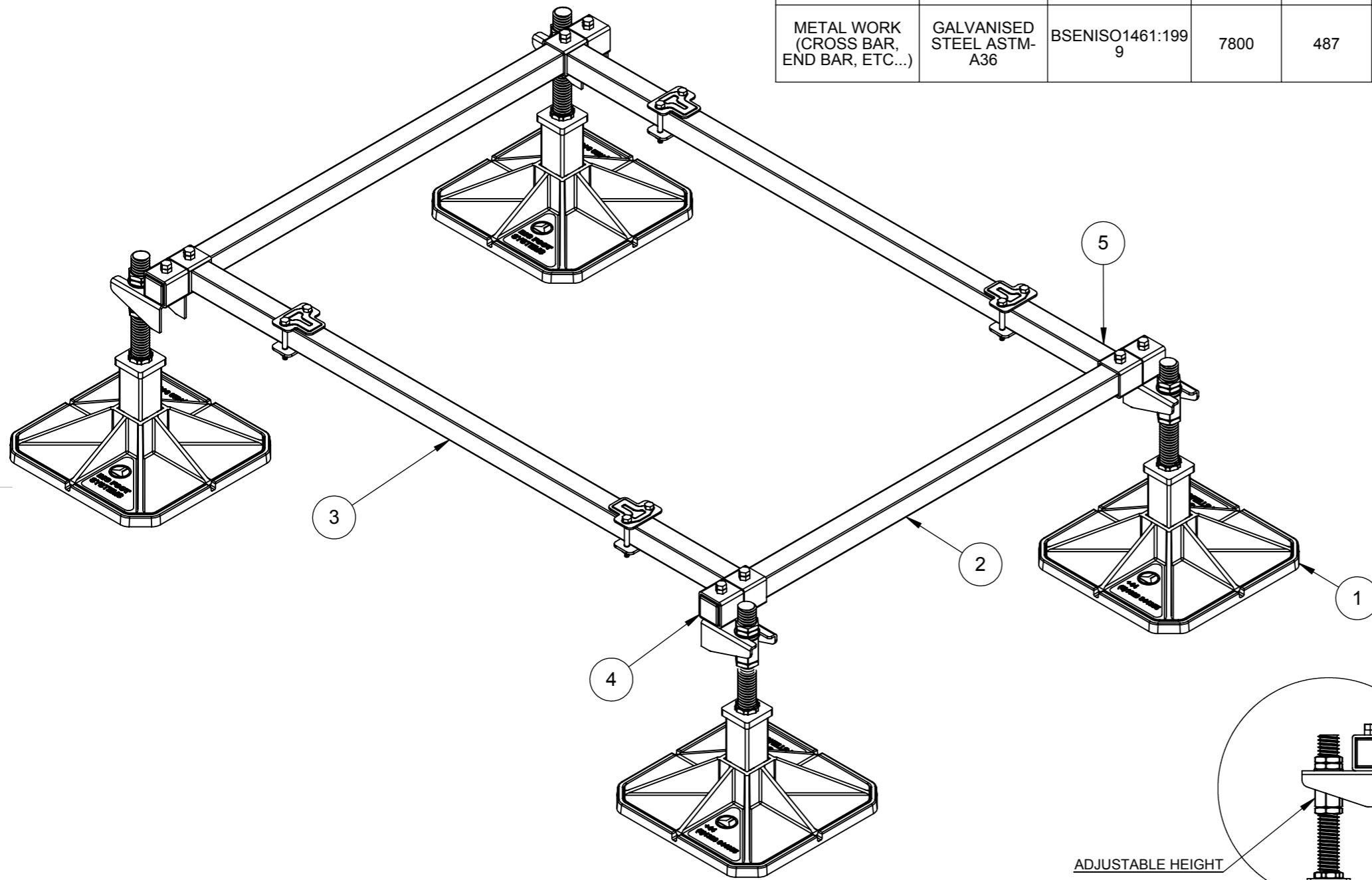
DWG NO. LD1001-01-01

THIS DRAWING IS COPYRIGHT AND
 THE PROPERTY OF BIG FOOT SYSTEMS LIMITED

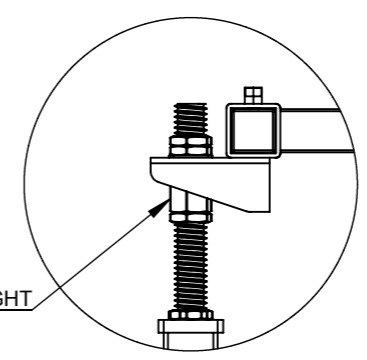


LD FRAME SPECIFICATION SHEET

MATERIAL SPECIFICATION										
DESCRIPTION	MATERIAL	REGULATION CONFORMANCE	DENSITY		FLEXURAL STRENGTH (@ BREAK, 2mm/min)		YIELD STRENGTH		COMPRESSIVE STRENGTH (@ 20%)	
			kg/m3	lbs/ft3	MPa	psi	MPa	psi	MPa	psi
305mm FOOT	POLYAMIDE 6		1140	71	210	30458	250	36259	-	-
305mm MAT	RECYCLED RUBBER CRUMB	BS7188:1989	650-1020	41-64	-	-	-	-	1.20	174
METAL WORK (CROSS BAR, END BAR, ETC...)	GALVANISED STEEL ASTM-A36	BSENISO1461:1999	7800	487	-	-	250	36259	-	-



LD FRAME 1.0M X 1.2M



KEY FEATURES

PRODUCT CONTENTS		
B6075 - 1.0m x 1.2m		
ITEM NO.	DESCRIPTION	QUANTITY
1	305mm LEG ASSEMBLY	4
2	1.0m END BAR (40x40)	2
3	1.2m CROSS BAR (40x40)	2
4	40x40mm INSERT	4
5	40mm CLAMP KIT	2

PRODUCT CONTENTS		
B6077 - 2.0m x 1.2m		
ITEM NO.	DESCRIPTION	QUANTITY
1	305mm LEG ASSEMBLY	6
2	2.0m END BAR (40x40)	2
3	1.2m CROSS BAR (40x40)	4
4	40x40mm INSERT	4
5	40mm CLAMP KIT	4

PRODUCT CONTENTS		
B6078 - 3.0m x 1.2m		
ITEM NO.	DESCRIPTION	QUANTITY
1	305mm LEG ASSEMBLY	8
2	2M&1M END BAR (40x40) & STRAIGHT CONNECTOR	2
3	1.2M CROSS BAR (40x40)	6
4	40x40mm INSERT	4
5	40mm CLAMP KIT	6

TITLE: LD FRAME SPECIFICATION SHEET

DWG NO. LD1001-01-02

THIS DRAWING IS COPYRIGHT AND THE PROPERTY OF BIG FOOT SYSTEMS LIMITED



+44(0)1323 844 355
 TECHNICAL@BIGFOOTSUPPORT.COM
 WWW.BIGFOOTSUPPORT.COM